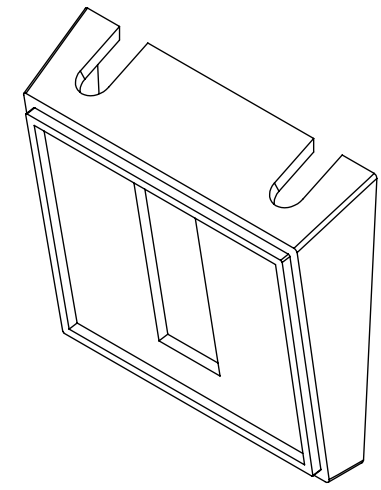
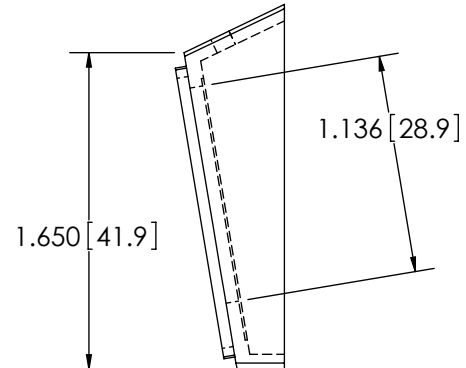
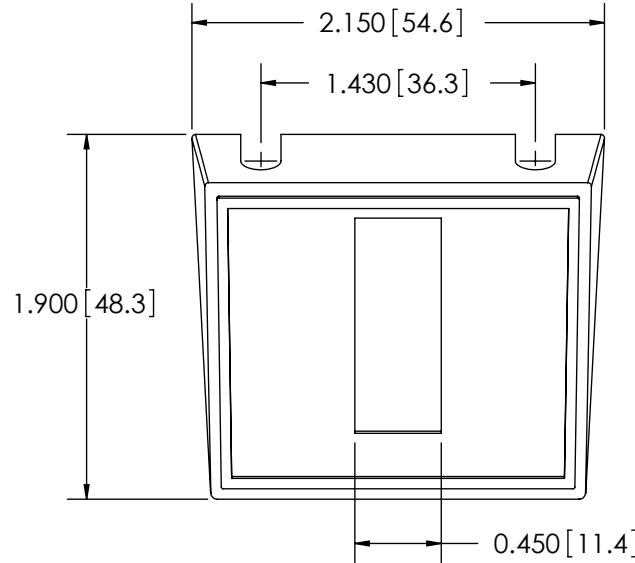


8 7 6 5 4 3 2 1

REVISION HISTORY		
REV.	DESCRIPTION	DATE
A	INITIAL RELEASE PER CR# 1813	2005-02-04



NOTES:
1. DIMENSIONS IN INCHES[MILLIMETERS(FOR REFERENCE)]

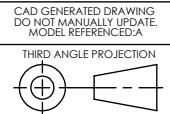
APPROVALS		DATE
DRAWN BY	ADM	
CHECKED		
ELEC. ENG.		
MECH. ENG.		
TEST ENG.		
SALES		

ECCO Electronic Controls Co.
An Employee Owned Company
800-635-5900 P.O.BOX 7246,BOISE,ID 83707

SWITCH,PANEL, SINGLE SLOT

Project: CR# 1813		Date Created: 2005-02-04
SIZE A	DWG. NO. A9893	REV. A
SCALE 1:1	PREPARED PER ASME 14.100M-1998 / ASME Y14.1-1995	SHEET 1 OF 1

NON DISCLOSURE AGREEMENT
THIS DRAWING AND THE DESIGN IT DISCLOSES ARE THE PRIVATE PROPERTY OF ECCO AND IS ISSUED IN CONFIDENCE FOR ENGINEERING INFORMATION ONLY. THE DRAWING AND / OR DESIGN MAY NOT BE USED, COPIED, REPRODUCED, OR OTHERWISE DISCLOSED IN PART OR AS A WHOLE TO OUTSIDERS OR USED FOR ANY OTHER PURPOSE WITHOUT THE PRIOR WRITTEN CONSENT OF ECCO. THE DRAWING IS SUBJECT TO RECALL AT ANY TIME. YOUR POSSESSION OF THIS DOCUMENT CONSTITUTES ACCEPTANCE OF THESE TERMS. © 2005 ECCO



8 7 6 5 4 3 2 1